

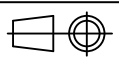
1114861-01

ID number

Text:

Change No. C000941-10

Phase: Nicht-Serie



Original drawing
Scale | Format

RoHS | 1:1 | A4

Platte

Plate

Werkstoff:
Material:

Maße in mm / Dimensions in mm

Einzelteilzeichnung / Component Drawing

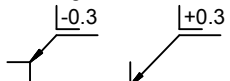
●blanke Flächen/Blank surfaces

Werkstückkanten nach ISO 13715
Workpiece edges ISO 13715

Allgemeintoleranzen ISO 2768-mH $\leq 6\text{mm}: \pm 0,2$
General tolerances ISO 2768-mH $\leq 6\text{mm}: \pm 0,2$

Tolerierung nach ISO 8015
Tolerances as per ISO 8015

Oberflächen nach ISO 1302
Surfaces as per ISO 1302



Oberflächenbehandlung:
Surface treatment:

The reproduction, distribution and utilization of this document as well as the communication of its contents to others without express authorization is prohibited. Offenders will be held liable for the payment of damages. All rights reserved in the event of the grant of a patent, utility model or design. (ISO 16016)

HEIDENHAIN
DR. JOHANNES HEIDENHAIN GmbH
83301 Traunreut, Germany

Created
M-TS
01.08.2014

Responsible

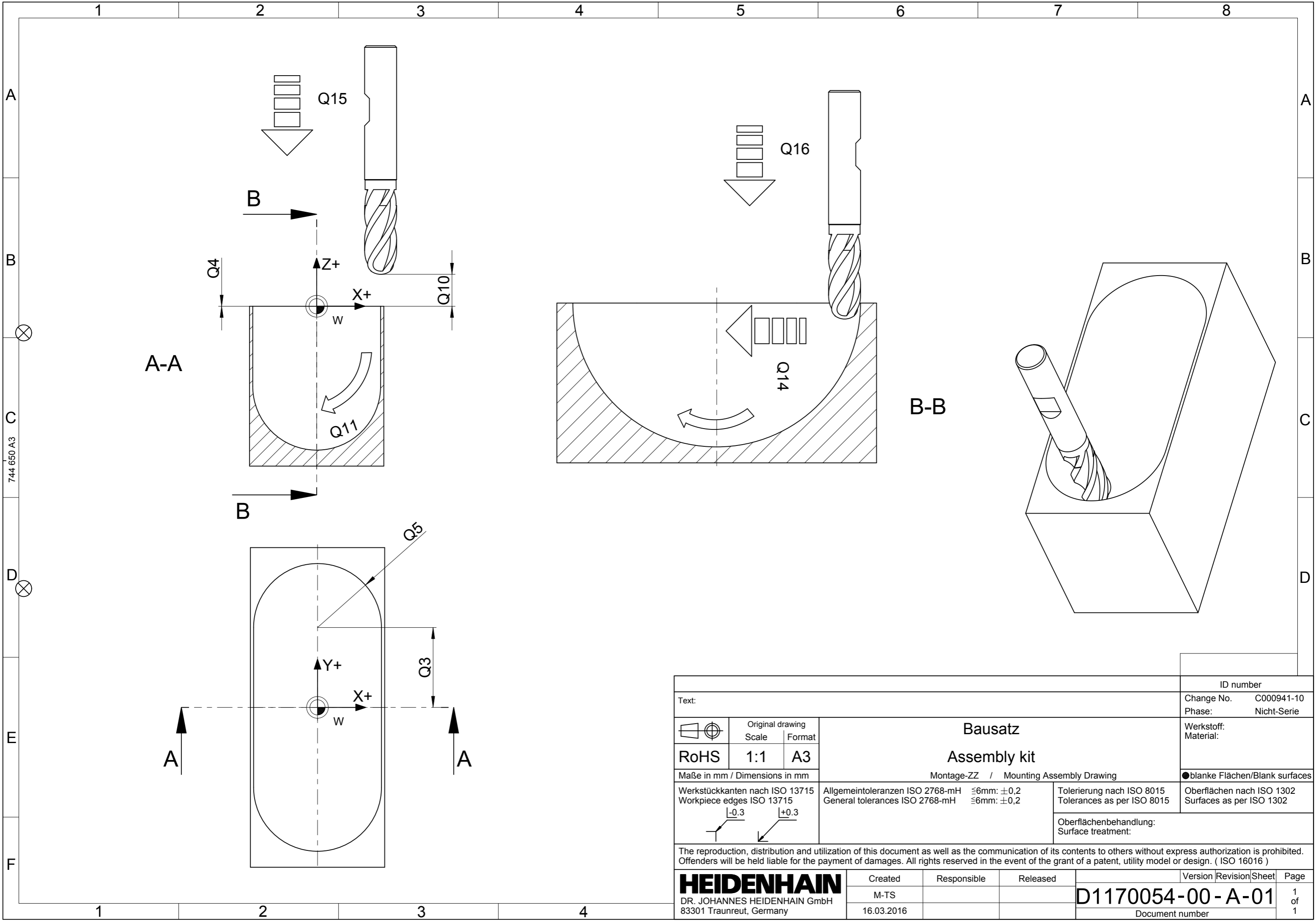
Released

Version | Revision | Sheet | Page

D1114861-00-A-01

1
of
1

Document number



744 650 A3

Text:			ID number							
			Change No.	C000941-10						
			Phase:	Nicht-Serie						
			Werkstoff:							
<table border="1"> <tr> <td>Original drawing</td> <td>Scale</td> <td>Format</td> </tr> <tr> <td>RoHS</td> <td>1:1</td> <td>A3</td> </tr> </table>			Original drawing	Scale	Format	RoHS	1:1	A3	<p align="center">Bausatz</p> <p align="center">Assembly kit</p> <p align="center">Montage-ZZ / Mounting Assembly Drawing</p>	
Original drawing	Scale	Format								
RoHS	1:1	A3								
Maße in mm / Dimensions in mm			●blanke Flächen/Blank surfaces							
Werkstückkanten nach ISO 13715 Workpiece edges ISO 13715		Allgemeintoleranzen ISO 2768-mH General tolerances ISO 2768-mH	≤6mm: ±0,2 ≤6mm: ±0,2	Tolerierung nach ISO 8015 Tolerances as per ISO 8015						
		Oberflächenbehandlung: Surface treatment:								
The reproduction, distribution and utilization of this document as well as the communication of its contents to others without express authorization is prohibited. Offenders will be held liable for the payment of damages. All rights reserved in the event of the grant of a patent, utility model or design. (ISO 16016)										
<p>HEIDENHAIN</p> <p>DR. JOHANNES HEIDENHAIN GmbH</p> <p>83301 Traunreut, Germany</p>			Created	Version						
			Responsible	Revision						
			Released	Sheet						
			Page							
			D1170054-00-A-01							
			Document number							
			1 of 1							